

Model		N865 (VT2105, Ges5325, Rex1250, NSA CP325)					Volt/Hz	Date of Modification	Serial Number	
Modified Article		Reverse Roller Clutch								
Reason for Modification		To erase horizontal white line in photo mode								
Draw No.	Old Parts No.	New Parts No.	Description	Rank	Q'ty Used Old → New	Inter-change-ability	Part needed for replacement by new part		Parts Catalog	
							Part No.	Description	No.	Page
	C2168122	C2168123	Main Control Board - 230V		1 → 1	O/O			31	67
	C2168112	C2168113	Main Control Board - 115V		1 → 1	O/O			31	67
	C2158045	C2158057	IC - Main Board		1 → 1	O/O			32	67

Rank: A : Replace with new parts immediately.B : Replace with new parts at time of repair.C : Replace with new parts at time of overhaul.

Interchangeability:

(1) When old and new parts are not mutually interchangeable, use additional parts or an assembly part as indicated in "Parts needed for replacement by new part" to install the new part.

(2) The mark to the left of the slash indicates whether the old part can be used in the new machine, and the mark to the right indicates whether the new part can be used in the old machine. x = Not interchangeable o = Interchangeable

Draw No.	Old Parts No.	New Parts No.	Description	Rank	Q'ty Used Old → New	Inter-changeability	Part needed for replacement by new part		Parts Catalog	
							Part No.	Description	No.	Page
	C2008440		Reverse Roller Solenoid		1 → 0					
	C2004223		Reverse Solenoid Bracket		1 → 0					
	C2004216		Reverse Roller Clutch Barrel		1 → 0					
	C2004217		Reverse Roller Clutch Sleeve		1 → 0					
	C2004215		Reverse Roller Clutch Spring		1 → 0					
	C2004213		Pulley - 28T		1 → 0					
	C2014068		Reverse Roller Clutch Pawl		1 → 0					
	56073616		Guide Plate Spring		1 → 0					
	06220060E		Spring Pin - 2 x 6mm		1 → 0					
	03140080Z		Philips Screw - 4 x 8		1 → 0					
	05740060E		Hexagon Headless Screw - M4 x 6		1 → 0					
	03130200Z		Philips Screw - 3 x 5		1 → 0					
	C2134046		Upper Reverse Roller		1 → 0					
		C2154200	Clutch Stopper		0 → 1					
		C2158240	Reverse Roller Clutch		0 → 1					
		09604008Z	Flange Head Screw - 4 x 8		0 → 1					
		C2154046	Upper Reverse Roller		0 → 1					

X/O as a set

DETAILS OF MODIFICATION

It has been found that a horizontal thin white line appears 64 mm from the leading edge of prints. The line may be visible when the image is made using the photo mode. This line is caused by a shock wave when the master is clamped by the drum master clamber.

1. To erase this white line, the software has been changed to delay the timing of the master clamping. With the old software, the reverse roller solenoid [A] and the master clamber solenoid were turned off at the same time. (Due to the slow response of the old spring clutch, the reverse roller stops feeding the master after the master was clamped.) The new software enables that the master is clamped when the master is fed 2 mm further after the reverse roller stops feeding the master. This allows to make a small buckle of the master, which absorbs the shock wave, between the platen roller and the reverse roller before the leading edge of the master is clamped.

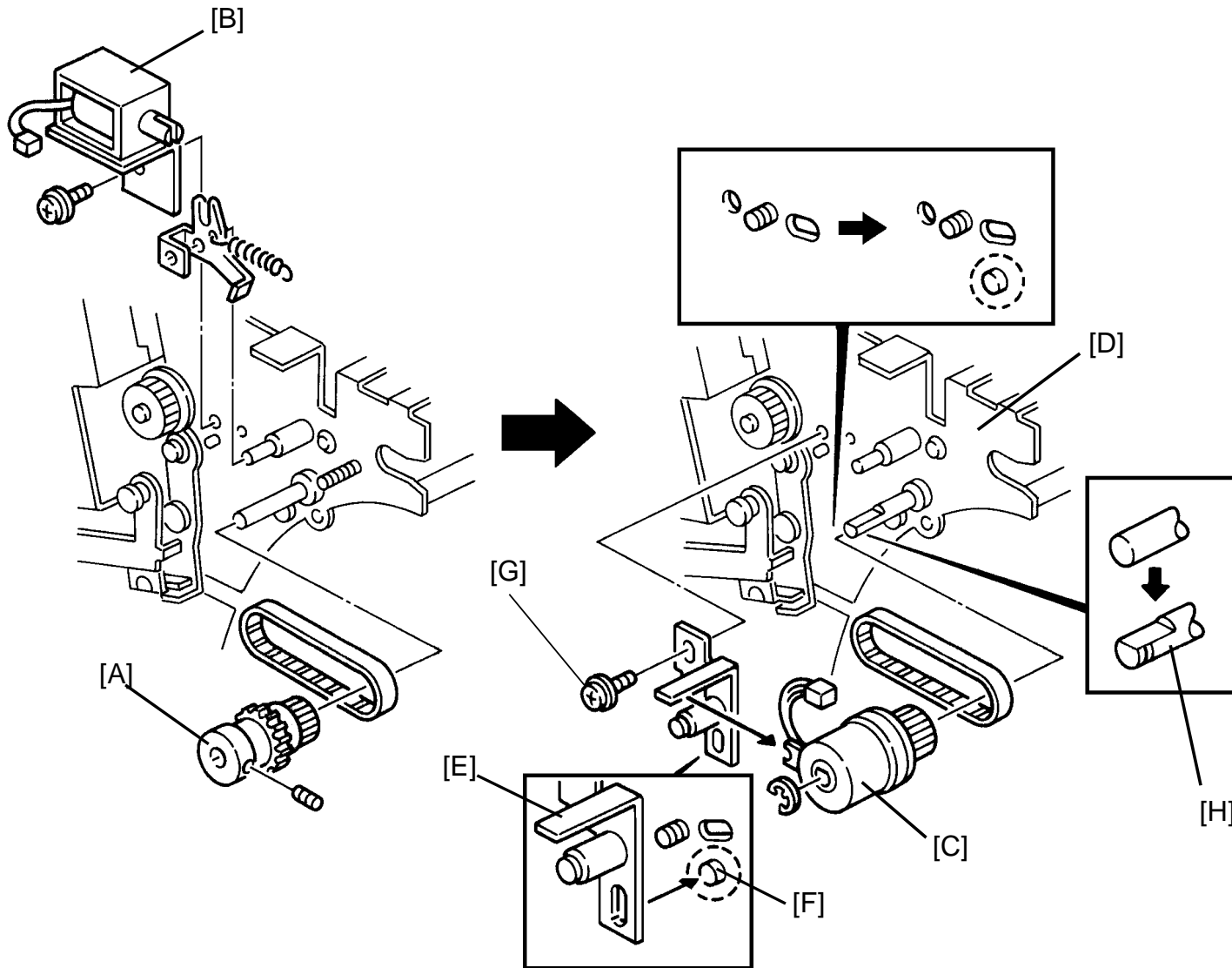
The new ROM can be used also for existing machines. The only side effect is that the image on prints is forwarded about 1 or 2 mm due to the slow response of the old mechanism. (This value varies due to ratchets of the clutch gear.) If the old ROM is used for a modified machine (this is the same situation as the new clutch mechanism installed on the old machine), the image is shifted approximately 0.6 mm backwards.

NOTE: The part numbers of the ROMs and main PCBs for the VT2000 series have been changed. The main PCBs have not been changed except for the ROMs. The old PCBs and the new PCBs are interchangeable.

2. To enable the proper reverse roller stop timing, the reverse roller clutch mechanism has been changed from the combination of a solenoid [A] and a spring clutch [B] to an electrical clutch [C]. To cope with the strictly controlled reverse roller stop timing, the electrical clutch responds a little bit quicker than the old clutch mechanism. (If the old spring clutch is used, the only side effect is as mentioned above.)

To make assembly of the clutch stopper [E] in the factory easier, a projection [F] is added on the right side plate [D] (C2164005). Even if the side plate does not have this projection, the clutch stopper can be installed on the side plate with one screw [G] (09604008Z). So, the part number of the right side plate has not been changed. Also, the shape of the upper reverse roller shaft [H] has been changed to match the electrical clutch. The old spring clutch [B] can be replaced with the new electrical clutch [C] (C2158240) with the clutch stopper [G] (C2154200) and the upper reverse roller (C2154046).

DETAILS OF MODIFICATION



T. Ito, Manager
Copier Technical Support

MODEL NAME	V/Hz	DESTINATION	CODE	SERIAL NUMBER
Ges5325 Rex1250 NSA CP325	120/60	USA, Canada	C216-12	50823040001
Ricoh VT2105	120/60	USA, Canada	C216-17	C3213040001
Ges5325 Rex1250 NSA CP325	230/50	Europe, Asia	C216-22	50813040001
Ricoh VT2105	230/50	Europe	C216-27	C3213040031
Ricoh VT2105	230/60	Asia	C216-29	C3213040106

Model		N865 (VT2105, Ges5325, Rex1250, NSA CP325)					Volt/Hz	Date of Modification	Serial Number	
Modified Article		Main Board, Image Processing Board								
Reason for Modification		Gestetner version: To enable computer link up								
Draw No.	Old Parts No.	New Parts No.	Description	Rank	Q'ty Used Old → New	Inter-changeability	Part needed for replacement by new part		Parts Catalog	
							Part No.	Description	No.	Page
	C2158088	C2078088	Flat Cable - Main Board		1 → 1	X/X	O/O as a set (X/O, if the computer link up is necessary.)		19	67
	C2158002	C2168002	Image Processing Board		1 → 1	X/X			25	67
	C2168123	C2168062	Main Control Board - 230V		1 → 1	X/X			31	67
	C2168113	C2168052	Main Control Board - 115V		1 → 1	X/X			31	67
	C2158057	C2168057	IC - Main Board		1 → 1	X/X			32	67
		C2169501	Flat Cable - Main Board		0 → 1				*	*

Rank: A : Replace with new parts immediately.B : Replace with new parts at time of repair.C : Replace with new parts at time of overhaul.

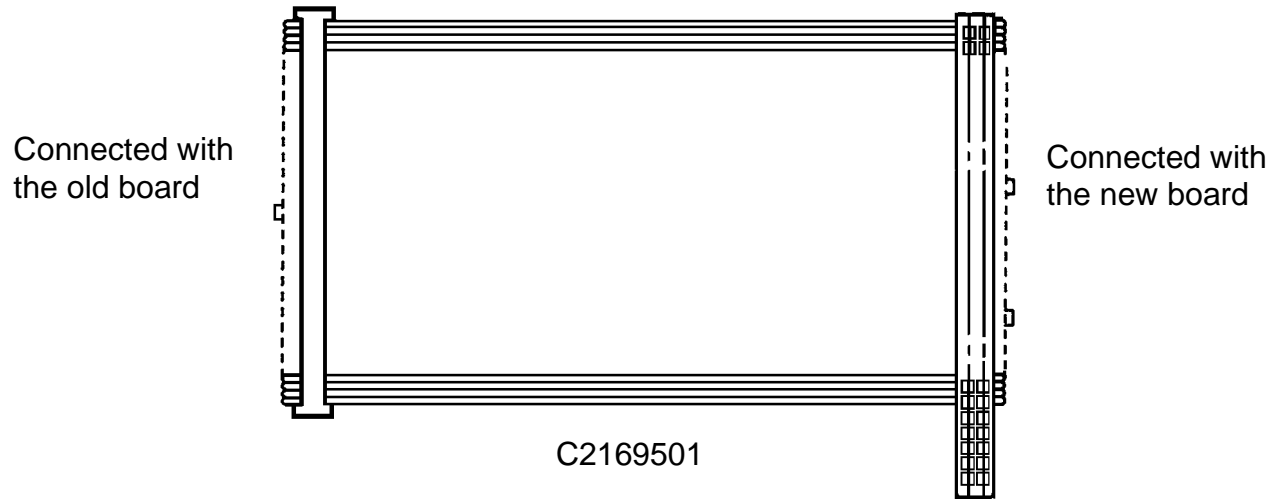
Interchangeability:

- (1) When old and new parts are not mutually interchangeable, use additional parts or an assembly part as indicated in "Parts needed for replacement by new part" to install the new part.
- (2) The mark to the left of the slash indicates whether the old part can be used in the new machine, and the mark to the right indicates whether the new part can be used in the old machine. x = Not interchangeable o = Interchangeable

DETAILS OF MODIFICATION

To enable computer link up, the main control board and the image processing board have been changed, including the ROM on the main board (IC - main board). Due to this modification, the number of connector pins between the main control board and the image processing board has been increased. This is the reason why the interchangeability of each board is X/X.

To enable to connect the new board and the old board, the flat cable - main board (C2169501) has been registered as a service part. A new board can be installed on the old machine with this cable. Also, an old board can be installed on the new machine with this cable. To enable computer link up, the new main control board, image processing board, and flat cable must be used as a set.



T. Ito, Manager
Copier Technical Support

MODEL NAME	V/Hz	DESTINATION	CODE	SERIAL NUMBER
Ges5325 Rex1250 NSA CP325	120/60	USA, Canada	C216-12	50823080001
Ricoh VT2105	120/60	USA, Canada	C216-17	From September '93 Production
Ges5325 Rex1250 NSA CP325	230/50	Europe, Asia	C216-22	50813080001
Ricoh VT2105	230/50	Europe	C216-27	C3213080001
Ricoh VT2105	230/60	Asia	C216-29	C3213080036

Model		N865 (VT2105, Ges5325, Rex1250, NSA CP325)					Volt/Hz	Date of Modification	Serial Number	
Modified Article		Main Board, Image Processing Board								
Reason for Modification		Parts Standardization								
Draw No.	Old Parts No.	New Parts No.	Description	Rank	Q'ty Used Old → New	Inter-change-ability	Part needed for replacement by new part		Parts Catalog	
							Part No.	Description	No.	Page
	C2158088	C2078088	Flat Cable - Main Board		1 → 1	X/X		O/O as a set	19	67
	C2158002	C2168002	Image Processing Board		1 → 1	X/X			25	67
	C2168123	C2168062	Main Control Board - 230V		1 → 1	X/X			31	67
	C2168113	C2168052	Main Control Board - 115V		1 → 1	X/X			31	67
	C2158057	C2168057	IC - Main Board		1 → 1	X/X			32	67
		C2169501	Flat Cable Main PCB		0 → 1				*	*

Rank: A : Replace with new parts immediately. B : Replace with new parts at time of repair. C : Replace with new parts at time of overhaul.

Interchangeability:

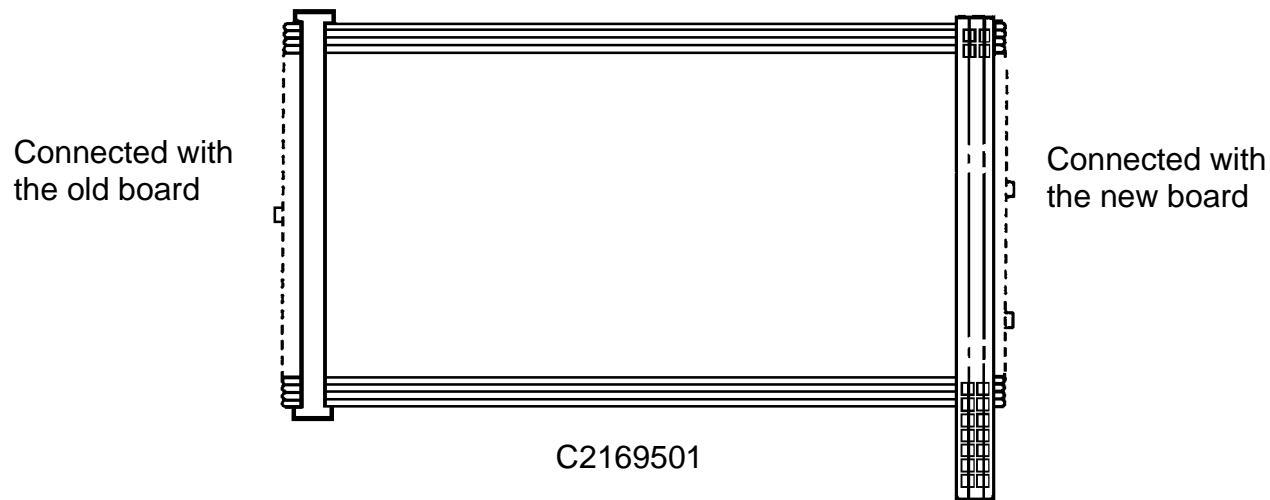
(1) When old and new parts are not mutually interchangeable, use additional parts or an assembly part as indicated in "Parts needed for replacement by new part" to install the new part.

(2) The mark to the left of the slash indicates whether the old part can be used in the new machine, and the mark to the right indicates whether the new part can be used in the old machine. x = Not interchangeable o = Interchangeable

DETAILS OF MODIFICATION

Due to parts standardization, the main control board and the image processing board have been changed, including the ROM on the main board (IC - main board). Due to this modification, the number of connector pins between the main control board and the Image processing board has been increased. This is the reason why the interchangeability of each board is X/X.

To enable to connect the new board and the old board, the flat cable - main board (C2169501) has been registered as a service part. A new board can be installed on the old machine with this cable. Also, an old board can be installed on the new machine with this cable.



T. Ito, Manager
Copier Technical Support

MODEL NAME	V/Hz	DESTINATION	CODE	SERIAL NUMBER
Ges5325 Rex1250 NSA CP325	120/60	USA, Canada	C216-12	50823080001
Ricoh VT2105	120/60	USA, Canada	C216-17	From September '93 Production
Ges5325 Rex1250 NSA CP325	230/50	Europe, Asia	C216-22	50813080001
Ricoh VT2105	230/50	Europe	C216-27	C3213080001
Ricoh VT2105	230/60	Asia	C216-29	C3213080036

Model	N865 (VT2105, Ges5325, Rex1250, NSA CP325)	Volt/Hz	Date of Modification	Serial Number
Modified Article	Parts Catalog			
Reason for Modification	Parts catalog correction			

Please correct your parts catalog as follows:

Incorrect P/N	Correct P/N	Description	Q'ty Used	Parts Catalog	
				Index No.	Page
C2018453	12040801	Push Switch	1	20	67

S. Hamano, Assistant General Manager
Technical Support Department

MODEL NAME	V/Hz	DESTINATION	CODE	SERIAL NUMBER
Ges5325 Rex1250 NSA CP325	120/60	USA, Canada	C216-12	/
Ricoh VT2105	120/60	USA, Canada	C216-17	
Ges5325 Rex1250 NSA CP325	230/50	Europe, Asia	C216-22	
Ricoh VT2105	230/50	Europe	C216-27	
Ricoh VT2105	230/60	Asia	C216-29	

Model	N865 (VT2105, Ges5325, Rex1250, NSA CP325)	Volt/Hz	Date of Modification	Serial Number
Modified Article	ADF Stopper			
Reason for Modification	Parts standardization			

Due to parts standardization, the following part has been changed.

Old P/N	New P/N	Description	Q'ty Used	Inter-change-ability	Parts Catalog	
					Index No.	Page
C2023131	C2093141	Stopper	1 → 1	O/O	31	49

S. Hamano, Assistant General Manager
 Technical Support Department

MODEL NAME	V/Hz	DESTINATION	CODE	SERIAL NUMBER
Ges5325 Rex1250 NSA CP325	120/60	USA, Canada	C216-12	
Ricoh VT2105	120/60	USA, Canada	C216-17	
Ges5325 Rex1250 NSA CP325	230/50	Europe, Asia	C216-22	
Ricoh VT2105	230/50	Europe	C216-27	
Ricoh VT2105	230/60	Asia	C216-29	
A.B. Dick 6520	120/60	USA, Canada	C216-18	

Model	N865 (VT2105, Ges5325, Rex1250, NSA CP325)	Volt/Hz	Date of Modification	Serial Number
Modified Article	Parts Catalog			
Reason for Modification	Parts catalog correction			

Please correct your parts catalog as follows:

Incorrect P/N	Correct P/N	Description	Index	Page
C2136044	C2136050	Exit Pawl	14	31

S. Hamano, Assistant General Manager
Technical Support Department

MODEL NAME	V/Hz	DESTINATION	CODE	SERIAL NUMBER
Ges5325 Rex1250 NSA CP325	120/60	USA, Canada	C216-12	
Ricoh VT2105	120/60	USA, Canada	C216-17	
Ges5325 Rex1250 NSA CP325	230/50	Europe, Asia	C216-22	
Ricoh VT2105	230/50	Europe	C216-27	
Ricoh VT2105	230/60	Asia	C216-29	
A.B. Dick 6520	120/60	USA, Canada	C216-18	

Model	N865 (VT2105, Ges5325, Rex1250, NSA CP325)	Volt/Hz	Date of Modification	Serial Number
Modified Article	Upper Hinge - Front Door			
Reason for Modification	Parts standardization			

Due to parts standardization, the following part has been changed.

Old P/N	New P/N	Description	Q'ty Used	Inter-changeability	Parts Catalog	
					Index No.	Page
C2132405	C2162405	Upper Hinge - Front Door	1 → 1	O/O	25	9

S. Hamano, Assistant General Manager
 Technical Support Department

MODEL NAME	V/Hz	DESTINATION	CODE	SERIAL NUMBER
Ges5325 Rex1250 NSA CP325	120/60	USA, Canada	C216-12	
Ricoh VT2105	120/60	USA, Canada	C216-17	
Ges5325 Rex1250 NSA CP325	230/50	Europe, Asia	C216-22	
Ricoh VT2105	230/50	Europe	C216-27	
Ricoh VT2105	230/60	Asia	C216-29	
A.B. Dick 6520	120/60	USA, Canada	C216-18	

Model	N865, N860	Volt/Hz	Date of Modification	Serial Number
Modified Article	Parts Catalog for N860 (VT2005, Ges5323, Rex1245, NST CP323)			
Reason for Modification	Parts catalog for N860			

The mass-production of the N860 (C215) started from January '94. To know the difference between the N865 and N860, Please refer to RTB No. 10 of the VT2000 series.

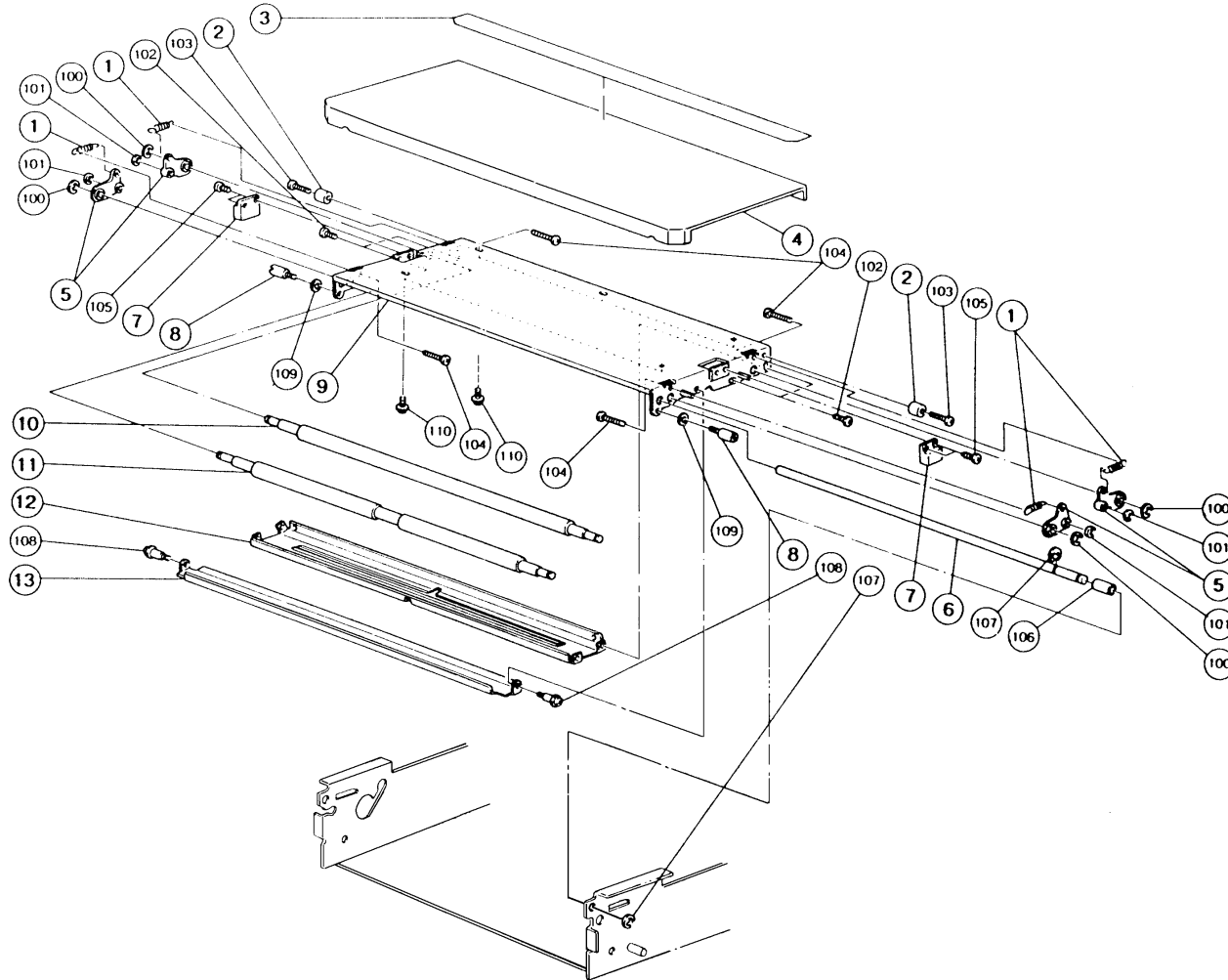
Please add the following unique parts to the N860 in the N865 parts catalog, so that N865 parts catalog covers all the parts for the N860.

Part Number	Description	Q'ty Used	Parts Catalog	
			Index No.	Page
C2152771	Decal - Drum Replacement (C215) (Ricoh)	1	13	9
C2112871	Decal - Drum Replacement (C215) (NRG)	1	13	9
C2152712	Front Cover (C215) (Ricoh)	1	18	9
C2152812	Front Cover (C215) (NRG)	1	18	9
C2152815	Model Plate - GES	1	*30	9
C2152816	Model Plate - REX	1	*30	9
C2152817	Model Plate - NST	1	*30	9
C2053140	Original Table - A4 (C215) (Ricoh)	1	2	53
C2113138	Original Table - A4 (C215) (NRG)	1	2	53
C2158052	Main Control Board - 230V (C215)	1	31	67
C2158608	Operating Instructions - English (C215) (Ricoh)	1	24	95
C2158698	Operating Instructions - English (C215) (NRG)	1	24	95

*New Index

DETAILS OF MODIFICATION

Please add the following pages (48-2 and 49-2) for the scanner section 1 of the N860 (C215)



DETAILS OF MODIFICATION

Page 49-2

Part Number	Description	Q'ty Used	Parts Catalog
			Index No.
C200 3049	Pressure Arm Spring	4	1
C200 3052	Adjusting Shaft	2	2
C201 2454	Decal - Original Table Cover	1	3
C201 3024	Original Table Cover (Ricoh)	1	4
C2113211	Original Table Cover (NRG)	1	4
C200 3048	Pressure Arm	4	5
C200 3047	Shaft - Scanner Unit	1	6
C200 3053	Magnet Catch	2	7
C200 3045	Shoulder Screw - Inner Cover	2	8
C200 3041	Inner Cover - Original Transport	1	9
C200 3065	Original Press Roller	1	10
C202 3107	Transport Roller	1	11
C201 3066	Original Guide	1	12
C201 3067	Platen Plate	1	13
0720 0050Z	Retaining Ring - M5		100
0720 0030Z	Retaining Ring - M3		101
0313 0050Z	Philips Screw - 3 x 5		102
0313 0140Z	Philips Pan Head Screw - M3 x 14		103
0313 0120Z	Philips Screw - 3 x 12		104

DETAILS OF MODIFICATION

Part Number	Description	Q'ty Used	Parts Catalog
			Index No.
0433 0080Z	Tapping Screw - M3 x 8		105
0707 6150B	Bushing - 6 x 15mm		106
0720 0040Z	Retaining Ring - M4		107
0803 0043	Screw - M3 x 11		108
0701 0030Z	Flat Washer - M3		109

S. Hamano, Assistant General Manager
Technical Support Department

MODEL NAME	V/Hz	DESTINATION	CODE	SERIAL NUMBER
Ges5325 Rex1250 NSA CP325	120/60	USA, Canada	C216-12	
Ricoh VT2105	120/60	USA, Canada	C216-17	
Ges5325 Rex1250 NSA CP325	230/50	Europe, Asia	C216-22	
Ricoh VT2105	230/50	Europe	C216-27	
Ricoh VT2105	230/60	Asia	C216-29	
A.B. Dick 6520	120/60	USA, Canada	C216-18	
Ges5323 Rex1245 NSA CP323	110/60	Taiwan	C215-13	
Ricoh VT2005	110/60	Taiwan	C215-19	
Ges5323 Rex1245 NSA CP323	230/60	Asia	C215-23	
Ricoh VT2005	230/60	Asia	C215-29	

Model	N865, N860	Volt/Hz	Date of Modification	Serial Number
Modified Article	Circuit Breaker			
Reason for Modification	Vender change			

Due to a vender change, the following parts have been changed.

Old P/N	New P/N	Description	Q'ty Used	Inter-change-ability	Parts Catalog	
					Index No.	Page
C2032059	C2162059	Circuit Breaker Bracket	1 → 1	X/X	38	67
11070134	11070761	Circuit Breaker - 3A (220/240V)	1 → 1	X/X	126	67
11070154	11070782	Circuit Breaker - 5A (120V)	1 → 1	X/X	126	67
11070154	11070783	Circuit Breaker - 7A (110V-TWN)	1 → 1	X/X	126	67

O/O as a set

S. Hamano, Assistant General Manager
 Technical Support Department

MODEL NAME	V/Hz	DESTINATION	CODE	SERIAL NUMBER
Ges5325 Rex1250 NSA CP325	120/60	USA, Canada	C216-12	50824020001
Ricoh VT2105	120/60	USA, Canada	C216-17	C3214020001
Ges5325 Rex1250 NSA CP325	230/50	Europe, Asia	C216-22	50814020001
Ricoh VT2105	230/50	Europe	C216-27	C3214020031
Ricoh VT2105	230/60	Asia	C216-29	C3214020106
A.B. Dick 6520	120/60	USA, Canada	C216-18	From March '94 Production
Ges5323 Rex1245 NSA CP323	110/60	Taiwan	C215-13	From March '94 Production
Ricoh VT2005	110/60	Taiwan	C215-19	From March '94 Production
Ges5323 Rex1245 NSA CP323	230/60	Asia	C215-23	55114020001
Ricoh VT2005	230/60	Asia	C215-29	From March '94 Production

Model	N865, N860	Volt/Hz	Date of Modification	Serial Number
Modified Article	AC Drive Board			
Reason for Modification	To improve reliability			

Old P/N	New P/N	Description	Q'ty Used	Inter-change-ability	Parts Catalog	
					Index No.	Page
12081245		Relay - DC24V	4 → 2		109	87
	12081042	Power Relay - DC24V	0 → 2	X/O	* 130	87

* New Index

To improve reliability, the relays (RA303 and RA304) for the driving paper table drive motor have been changed.

S. Hamano, Assistant General Manager
 Technical Support Department

MODEL NAME	V/Hz	DESTINATION	CODE	SERIAL NUMBER
Ges5325 Rex1250 NSA CP325	120/60	USA, Canada	C216-12	From August '94 Production
Ricoh VT2105	120/60	USA, Canada	C216-17	From August '94 Production
Ges5325 Rex1250 NSA CP325	230/50	Europe, Asia	C216-22	50813070001
Ricoh VT2105	230/50	Europe	C216-27	C3213070001
Ricoh VT2105	230/60	Asia	C216-29	C3213070071
A.B. Dick 6520	120/60	USA, Canada	C216-18	From 1st Production
Ges5323 Rex1245 NSA CP323	110/60	Taiwan	C215-13	From 1st Production
Ricoh VT2005	110/60	Taiwan	C215-19	From 1st Production
Ges5323 Rex1245 NSA CP323	230/60	Asia	C215-23	From 1st Production
Ricoh VT2005	230/60	Asia	C215-29	From 1st Production

Model	N865, N860	Volt/Hz	Date of Modification	Serial Number
Modified Article	Transformer			
Reason for Modification	To meet new safety standard			

Old P/N	New P/N	Description	Q'ty Used	Inter-change-ability	Parts Catalog	
					Index No.	Page
C2018155	C2168155	Transformer - 235V/105V	1 → 1	X/X	35	67
C2032018	C2162018	Transformer Bracket	1 → 1	X/X	36	67

X/O as a set

To meet new safety standard, the transformer for the 220/240V machines has been changed. Due to this modification, the transformer bracket has also been changed.

S. Hamano, Assistant General Manager
 Technical Support Department

MODEL NAME	V/Hz	DESTINATION	CODE	SERIAL NUMBER
Ges5325 Rex1250 NSA CP325	120/60	USA, Canada	C216-12	From August '93 Production
Ricoh VT2105	120/60	USA, Canada	C216-17	From August '93 Production
Ges5325 Rex1250 NSA CP325	230/50	Europe, Asia	C216-22	50813070001
Ricoh VT2105	230/50	Europe	C216-27	C3213070001
Ricoh VT2105	230/60	Asia	C216-29	C3213070071
A.B. Dick 6520	120/60	USA, Canada	C216-18	From August '93 Production
Ges5323 Rex1245 NSA CP323	110/60	Taiwan	C215-13	From August '93 Production
Ricoh VT2005	110/60	Taiwan	C215-19	From August '93 Production
Ges5323 Rex1245 NSA CP323	230/60	Asia	C215-23	From August '93 Production
Ricoh VT2005	230/60	Asia	C215-29	From August '93 Production

Model	N865, N860	Volt/Hz	Date of Modification	Serial Number
Modified Article	Parts Catalog			
Reason for Modification	Parts Catalog Correction			

Correct your parts catalog as follows:

Page 9 EXTERIOR section

1. NRG version only

Correct the part number as follows:

Index No.	Incorrect PN	Correct P/N	Description
2	C2032761	C2122841	Master Eject Box Door - NRG

2. Ricoh version only

Correct the description as follows:

Index No.	Incorrect PN	Incorrect Description	Correct Description
18	C2162702	Front Cover - LT	Front Cover
* This part is used not only for the U. S. A. version machines, but also for all Ricoh version machines.			
22	C2162705	Front Door A'ssy	Front Door Ass'y - LT

3. Ricoh version only

Correct the index number and description as follow:

Incorrect Index	Correct Index	P/N	Incorrect Description	Correct Description
18	22	C2162712	Front Cover - A4	Front Door Ass'y - A4

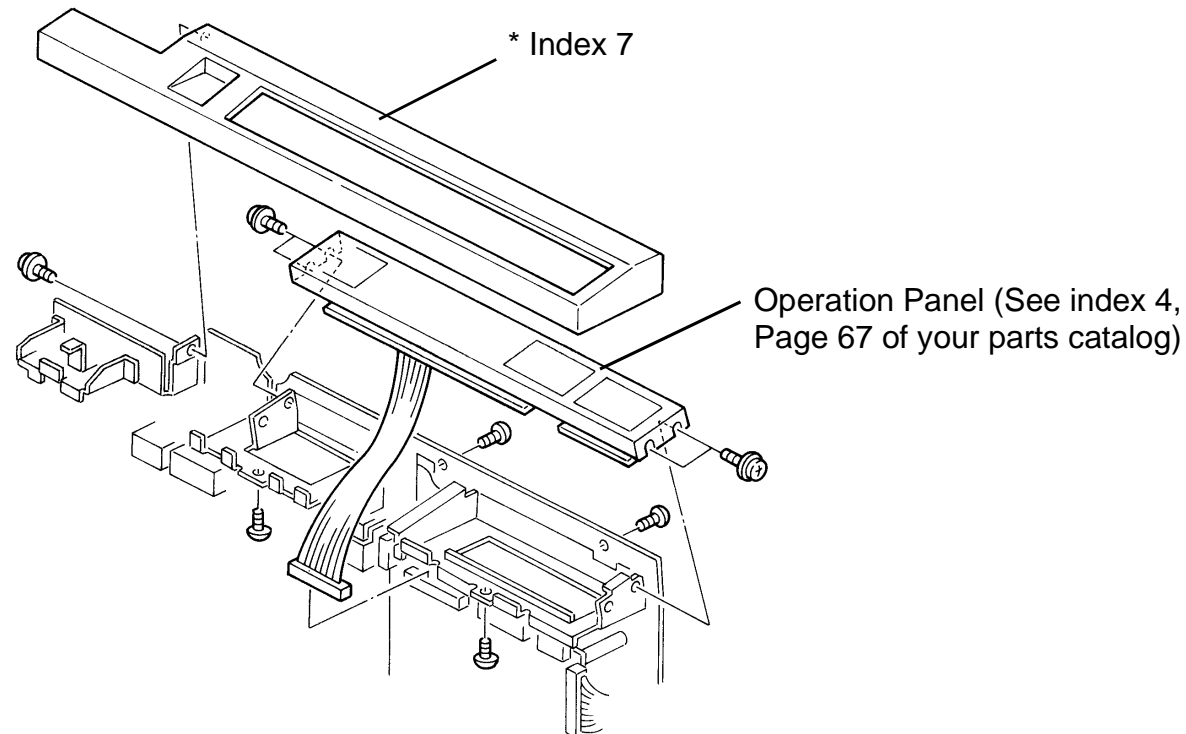
4. NRG version only

Add the following parts:

Index No.	P/N	Description	Q'ty
22	C2162812	Front Door Cover - A4 (NRG Generic)	1
22	C2162805	Front Door Cover - LT (NRG Generic)	1

5. All versions

Correct the illustration in the EXTERIOR section as follows:



Page 41 DRUM SECTION

1. A. B. Dick version only

Correct the part number as follows:

Index No.	Incorrect P/N	Correct P/N	Description
25	C2004826	C2164826	Pump Rubber

Page 49 SCANNER SECTION 1

1. Ricoh and A. B. Dick versions only

Correct the part number as follows:

Index No.	Incorrect P/N	Correct P/N	Description
*	C2163105	C2163120	ADF Unit - LT

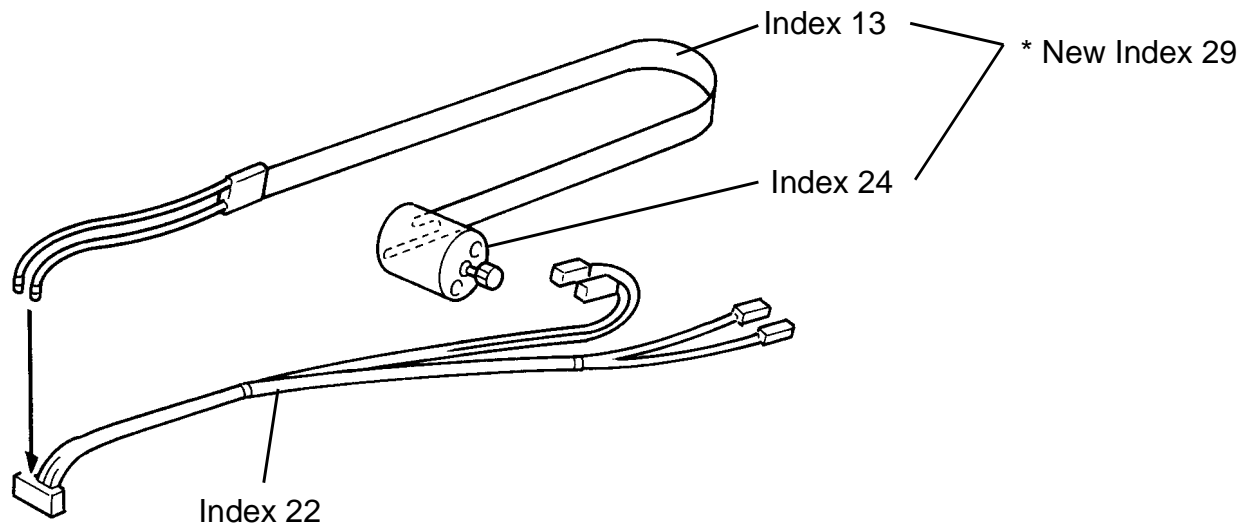
Page 59 PLOTTER / MASTER FEED SECTION 2

1. All versions

Add the following part and correct the illustration as shown below:

New Index No.	P/N	Description	Q'ty
29	C2008415	Motor / Cable Ass'y	1

* The motor (C2008418) and flat cable (C2008417) are soldered, and they are supplied also as an assembled part as shown below.



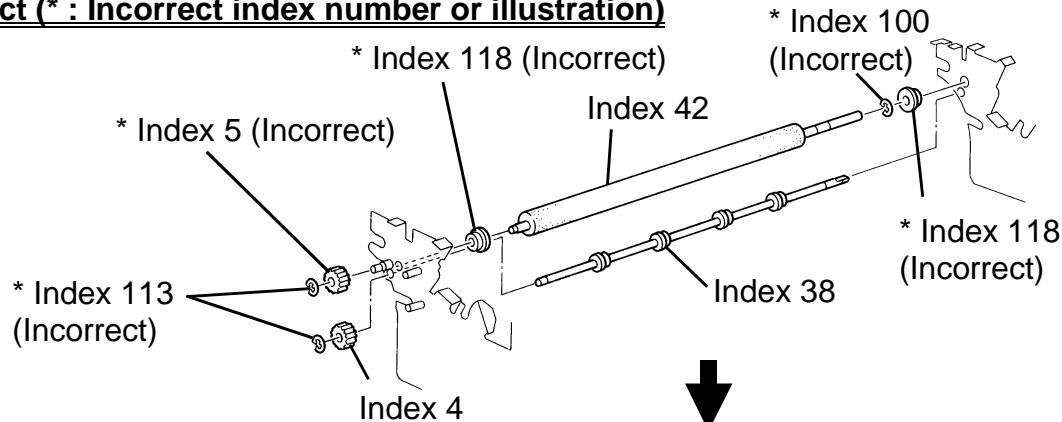
Page 61 PLOTTER / MASTER FEED SECTION 3

1. All versions

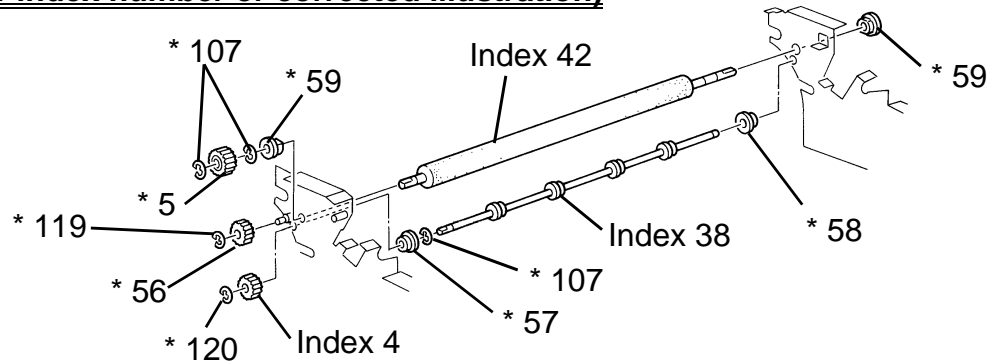
Add the following parts and correct the illustration as shown below:

New Index	P/N	Description	Q'ty
56	C2002338	Gear - 20T	1
57	53241658	Bushing - 4 x 8 x 4.5 mm	1
58	H0022226	Bushing - Head Roller	1
59	H0121181	Bushing - M6	2
119	07200020Z	Retaining Ring - M2	1
120	07200025Z	Retaining Ring - M2.5	1

Incorrect (* : Incorrect index number or illustration)



Correct (* : New index number or corrected illustration)



M. Iwasa, Manager
Technical Support Department

MODEL NAME	V/Hz	DESTINATION	CODE	SERIAL NUMBER
Ges5325 Rex1250 NSA CP325	120/60	USA, Canada	C216-12	
Ricoh VT2105	120/60	USA, Canada	C216-17	
Ges5325 Rex1250 NSA CP325	230/50	Europe, Asia	C216-22	
Ricoh VT2105	230/50	Europe	C216-27	
Ricoh VT2105	230/60	Asia	C216-29	
A.B. Dick 6520	120/60	USA, Canada	C216-18	
Ges5323 Rex1245 NSA CP323	110/60	Taiwan	C215-13	
Ricoh VT2005	110/60	Taiwan	C215-19	
Ges5323 Rex1245 NSA CP323	230/60	Asia	C215-23	
Ricoh VT2005	230/60	Asia	C215-29	

Model		N865, N860					Volt/Hz	Date of Modification	Serial Number	
Modified Article										
Reason for Modification		Due to parts standardization with other models								
Draw No.	Old Parts No.	New Parts No.	Description	Rank	Q'ty Used Old→New	Inter-change-ability	Parts needed for replacement by new part		Parts Catalog	
							Part No.	Description	No.	Page
	C2002005	C2222072	Bottom Stay		2 → 2	O/O			11	11
	C2032015		Bracket		1 → 0					
		C2242015	Image Processing Board Bracket		0 → 1	O/O			13	11
	C2154505	C2194505	Drum Stopper Ass'y		1 → 1	O/O			27	11
	C2154506	C2194506	Stopper Base		1 → 1	O/O			39	11
	C2034512	C2244512	Grounding Spring Plate		1 → 1	O/O			46	11
	C2002340		Washer		1 → 0					
		07010030Z	Flat Washer - M3		0 → 1	O/O			24	13
	C2012226	C2192226	Gear - 22T		1 → 1	O/O			33	13

Rank: A : Replace with new parts immediately. B : Replace with new parts at time of repair. C : Replace with new parts at time of overhaul.


Interchangeability:

- (1) When old and new parts are not mutually interchangeable, use additional parts or an assembly part as indicated in "Parts needed for replacement by new part" to install the new part.
- (2) The mark to the left of the slash indicates whether the old part can be used in the new machine, and the mark to the right indicates whether the new part can be used in the old machine. x = Not interchangeable o = Interchangeable

Draw No.	Old Parts No.	New Parts No.	Description	Rank	Q'ty Used Old → New	Inter- change- ability	Part needed for replacement by new part		Parts Catalog	
							Part No.	Description	No.	Page
	C2004941	C2194941	Clamper Shaft		1 → 1	O/O			30	45
	C2004947	C2224947	Clamper Rubber		2 → 2	O/O			31	45
	C2154948	C2194948	Drum Clamper Ass'y		1 → 1	O/O			36	45
	C2134583		Stainless Screen		1 → 0					
		C2194583	Tetron Screen - B4		0 → 1	O/O			37	45
	C2003546	C2193546	Lower Belt		4 → 4	O/O			7	63
	C2003545	C2193545	Upper Belt		4 → 4	O/O			9	63
	14080308		IC - TL321CP		1 → 0					
		14081187	IC - Ope. Amp-MC34071P		0 → 1	O/O			138	85

M. Iwasa, Manager
 Technical Support Department

MODEL NAME	V/Hz	DESTINATION	CODE	SERIAL NUMBER
Ges5325 Rex1250 NSA CP325	120/60	USA, Canada	C216-12	
Ricoh VT2105	120/60	USA, Canada	C216-17	
Ges5325 Rex1250 NSA CP325	230/50	Europe, Asia	C216-22	
Ricoh VT2105	230/50	Europe	C216-27	
Ricoh VT2105	230/60	Asia	C216-29	
A.B. Dick 6520	120/60	USA, Canada	C216-18	
Ges5323 Rex1245 NSA CP323	110/60	Taiwan	C215-13	
Ricoh VT2005	110/60	Taiwan	C215-19	
Ges5323 Rex1245 NSA CP323	230/60	Asia	C215-23	
Ricoh VT2005	230/60	Asia	C215-29	

Model: PRIPORT N860/N865		Date: 15-Jun-99	No: MC216014
Modified Article: Upper and Lower Master Eject Belts		Prepared by: 	
From: Priport Service Planning Section		H. Kokubo	
Classification: <input type="checkbox"/> Parts catalog correction <input type="checkbox"/> Vendor change <input type="checkbox"/> To meet standards <input type="checkbox"/> To facilitate assembly <input checked="" type="checkbox"/> To improve reliability () <input type="checkbox"/> Part standardization <input type="checkbox"/> Other ()			
Model Name: Ricoh VT2005/VT2105, Gestetner 5323/5325, RexRotary 1245/1250, nashuatec CP323/CP325, ABDICK 6520			

The upper and lower master eject belts have been changed as follows. The new parts have more tolerance against stretching when used over a long period of time.

Old #	New #	Description	Qty	Int	Page	Index
C219 3605	C219 3611	Upper Belt	4 → 4	X/O	63	9
C219 3606	C219 3612	Lower Belt	4 → 4	X/O	63	7



Model: PRIPORT N860/N865**Date:** 15-Jun-99**No:** MC216014**CUT IN SERIAL NUMBERS**

Model Name	V/Hz	Destination	Code	Serial Number
Ges 5325, Rex1250, Nsa CP325	120/60	USA, Canada	C216-12	Service Parts Only
Ricoh VT2105	120/60	USA, Canada	C216-17	Service Parts Only
Ges5325, Rex1250, Nsa CP325	230/50	Europe, Asia	C216-22	Service Parts Only
Ricoh VT2105	230/50	Europe	C216-27	Service Parts Only
Ricoh VT2105	230/60	Asia	C216-29	Service Parts Only
ABDICK 6520	120/60	USA, Canada	C216-18	Service Parts Only
Ges5323, Rex1245, Nsa CP323	110/60	Taiwan	C215-13	Service Parts Only
Ricoh VT2005	110/60	Taiwan	C215-19	Service Parts Only
Ges5323, Rex1245, Nsa CP323	230/60	Asia	C215-23	Service Parts Only
Ricoh VT2005	230/60	Asia	C215-29	Service Parts Only